

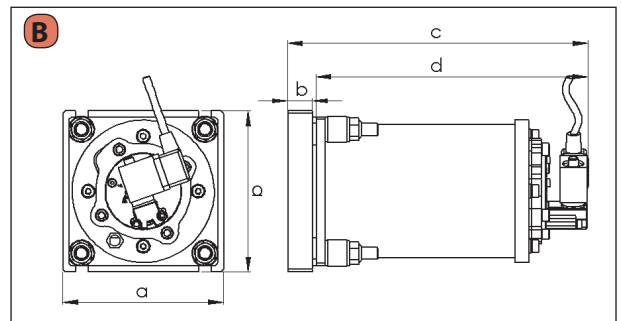
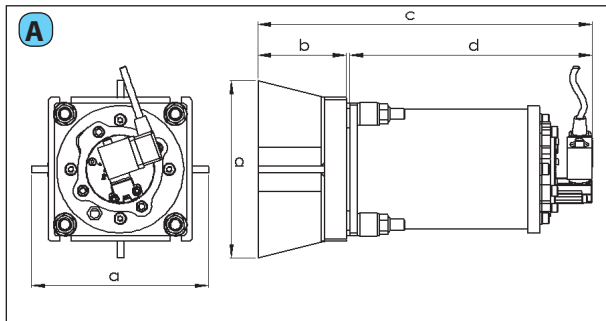


## TECHNICAL DATA SHEET

Overall dimension					
Type	PS TYPE "A" [≤ 3mm hopper thickness]				
	a	b	c	d	M
	mm	mm	mm	mm	mm
PS 40	160	80	302	219	16
PS 63	200	95	357	259	25
PS 80	250	119	430	308	

Overall dimension					
Type	PS TYPE "B" [> 3mm hopper thickness]				
	a	b	c	d	M
	mm	mm	mm	mm	mm
PS 40	130	20	242	219	16
PS 63	163	20	282	259	25
PS 80	200	25	336	308	



Features								
Type	Energy	Force	Energy	Force	Air Consumption		i Ø Pipe	Air Nipple
	J	N	J	N	NI		mm	Inch GAS
	3 bar		6 bar		3 bar	6 bar		
PS 40	8.4	199	18.1	429	3.6	5.3	6	1/8" GAS
PS 63	28.8	589	62	1268	6.4	11.6	8	1/4" GAS
PS 80	59.2	846	153	2186	12.5	21	8	1/4" GAS

APPLICATION	HOPPER AND SILO
POWDER	HYGROSCOPIC
PROBLEM SOLVING	BRIDGE AND RAT-HOLING
<b>FEATURES</b>	
DUTY CICLE	DISCONTINUOUS
WORKING PRESSURE	FROM 3 BAR TO 6 BAR (FROM 43 PSI TO 87 PSI)
PNEUMATIC CIRCUIT	FILTER+FLOW CONTROL VALVE
AIR SUPPLY QUALITY	CLASS 5.4.1.
WORKING TEMPERATURE	FROM -20°C TO 80°C (FROM -4°F TO 176°F)
MAX NOISE LEVEL	125 dB(A)
TECHNOLOGY	SINGLE IMPACT
<b>OPTION</b>	
KIT ATEX	II 3D c T85°C
TIMER	ADJUSTABLE FROM 30sec TO 45min
MULTI-TENSION COILS	FROM 24V (AC/DC) TO 230V
FULLY PNEUMATIC KIT	AVAILABLE