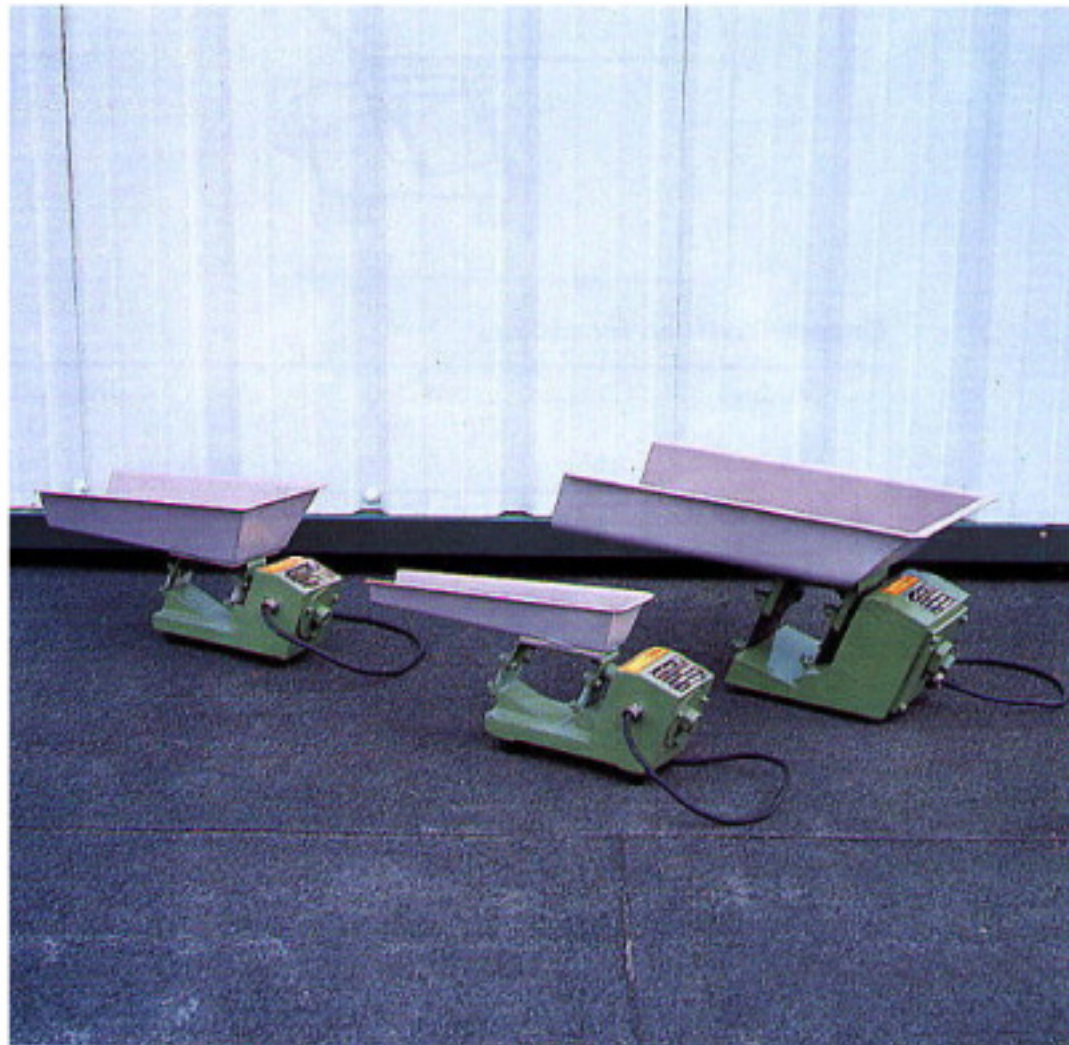


**Electromagnetic
vibrating
feeders**

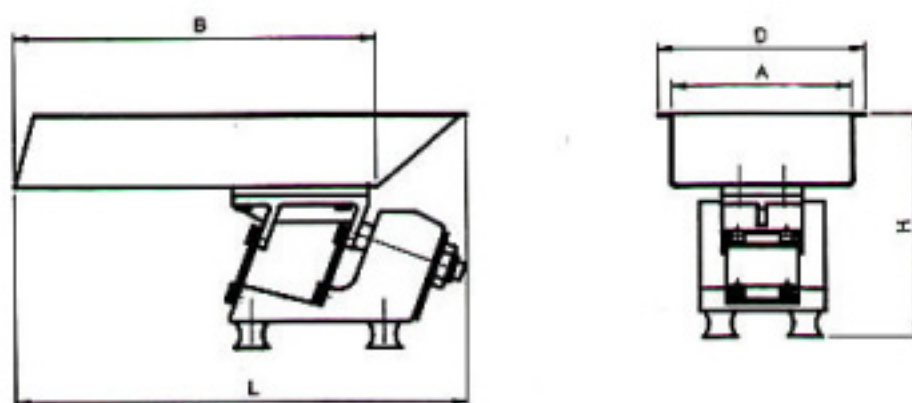
Low flows

**APA and AMA
series**



- For accurate low flows feeding.
- Continuous regulation.
- No maintenance required.
- Trough open, closed or special under request.
- Driven by an electromagnetic vibrator made by Urbar.

Electromagnetic small feeders. APA and AMA series.



Technical data

Type	Flow m ³ /h	Intensity		Dimensions					Weight kg
		220 V A	380 V A	A	B	D mm	L	H	
APA 4/30	1,0	0,8	0,5	40	300	90	400	190	7
APA 10/30	2,3	0,8	0,5	100	300	170	400	220	8
AMA 20/40	5,5	1,1	0,6	200	400	230	500	250	18

The flows can be continuously regulated by the means of a potentiometer installed in a control box. If the adjustment to be done is very exact, it is recommended to use a voltage stabilizer to avoid the mains fluctuation.

The standard range vibrators are connected to a single phase 220 V or 380 V voltage, 50 or 60 Hz, through a control box.

Under request, other voltages or frequencies can be supplied.

The AMA and APA feeders are used with a large range of products, with small distances and flows.

Questionary

Product	Density	Moist	Voltage
Flow required	Granulometry	Temperature	

N.B.: The specifications hereby indicated are relative to the feeders equipped with the electromagnetic vibrators.

These features give an idea about the vibrator themselves.